

- LTE-Band38, RF SAW Filter
- Revision 0: February 2014

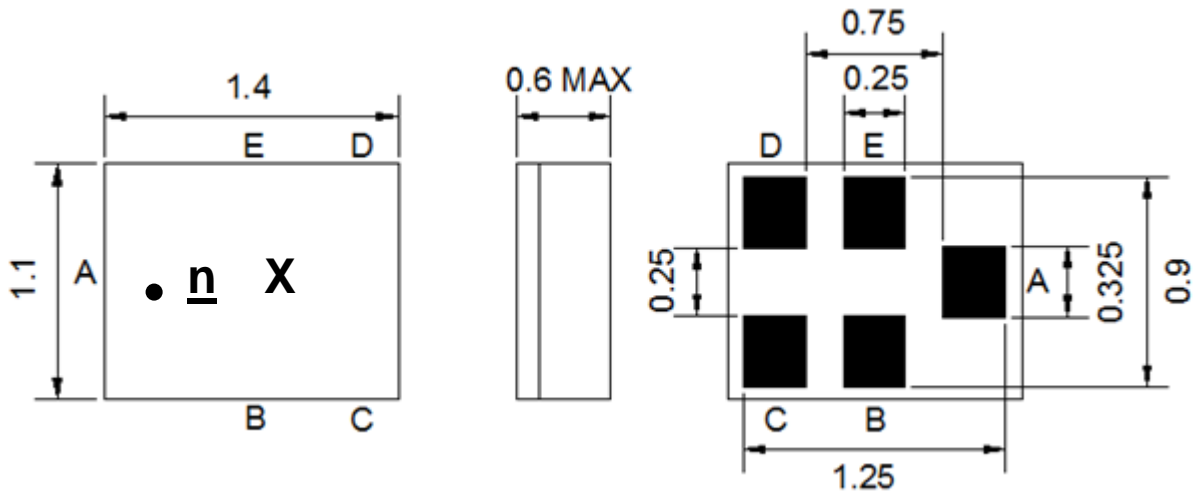
Electrical Characteristics

MAXIMUM RATING				
PARAMETERS DESCRIPTION	UNIT	MINIMUM	TYPICAL	MAXIMUM
Operating Temperature Range	°C	-30	-	+85
Storage Temperature Range	°C	-40	-	+85
Maximum DC Voltage	V	-	-	0
Maximum Input Power	dBm	-	-	28
Source Impedance (single ended) ⁽¹⁾	Ω	-	50	-
Load Impedance (single ended) ⁽¹⁾	Ω	-	50	-
Package type & size	C23			
Length x Width	mm ²	-	1.4 x 1.1	-
Height	mm	-	-	0.60

ELECTRICAL SPECIFICATION				
PARAMETERS DESCRIPTION	UNIT	MINIMUM	TYPICAL	MAXIMUM
Center Frequency (Fo)	MHz	-	2595.0	-
Max.Insertion Loss within 2570.0~2620.0 MHz	dB	-	1.8	2.5
Amplitude Ripple within 2570.0~2620.0 MHz	dB _{p-p}	-	1.0	1.7
Attenuation:				
10.0 ~ 200.0 MHz	dB	30	42	-
200.0 ~ 1570.0 MHz	dB	20	27	-
1570.0 ~ 1580.0 MHz	dB	20	27	-
1580.0 ~ 2000.0 MHz	dB	20	27	-
2000.0 ~ 2300.0 MHz	dB	20	27	-
2300.0 ~ 2400.0 MHz	dB	25	30	-
2400.0 ~ 2485.0 MHz	dB	25	34	-
2485.0 ~ 2510.0 MHz	dB	25	31	-
2510.0 ~ 2555.0 MHz	dB	1.0	2.3	-
2635.0 ~ 2680.0 MHz	dB	1.0	3.2	-
2680.0 ~ 2705.0 MHz	dB	30	36	-
2705.0 ~ 3000.0 MHz	dB	25	30	-
3000.0 ~ 4000.0 MHz	dB	25	30	-
4000.0 ~ 4900.0 MHz	dB	25	36	-
4900.0 ~ 6000.0 MHz	dB	20	28	-
VSWR within 2570.0~2620.0 MHz	-	-	1.9	2.2

Notes: (1) No Matching Network (Ref. Testing Environment Circuit as shown below).

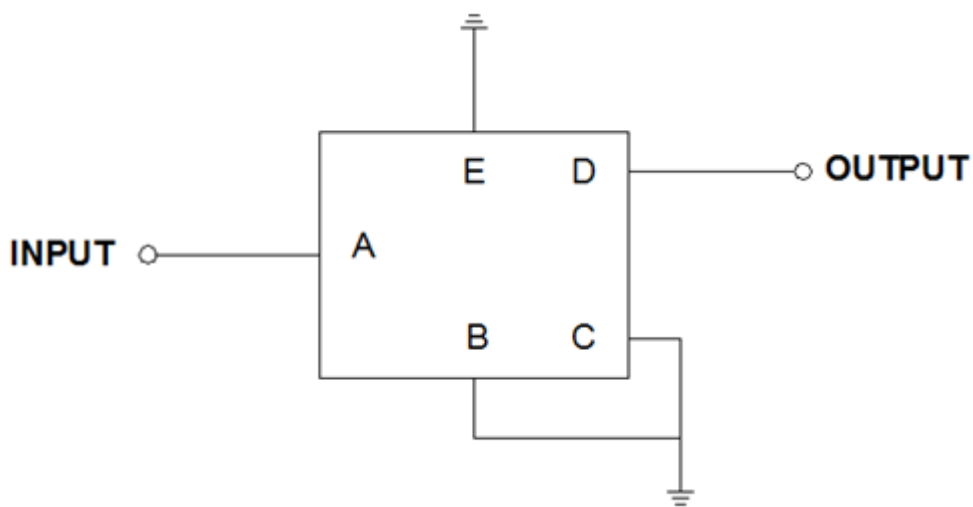
Package Dimensions



Marking Descriptions	
\underline{n}	Series Number
X	Date Code (Year+Month)

Pin Description	
B, C, E	Ground
A	Input
D	Output

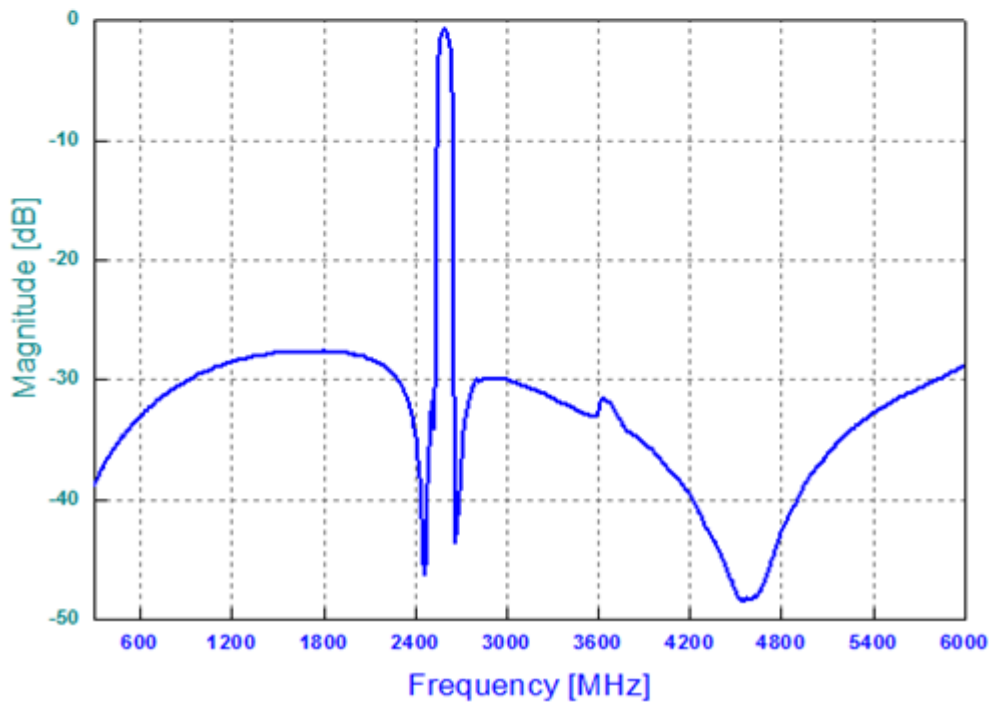
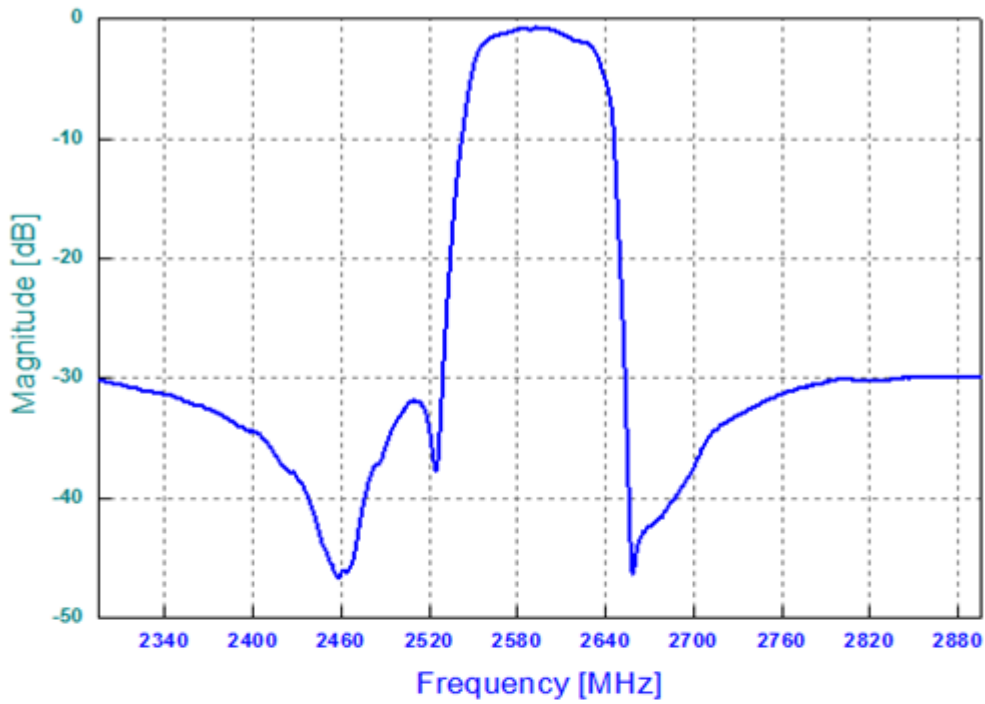
Testing Environment



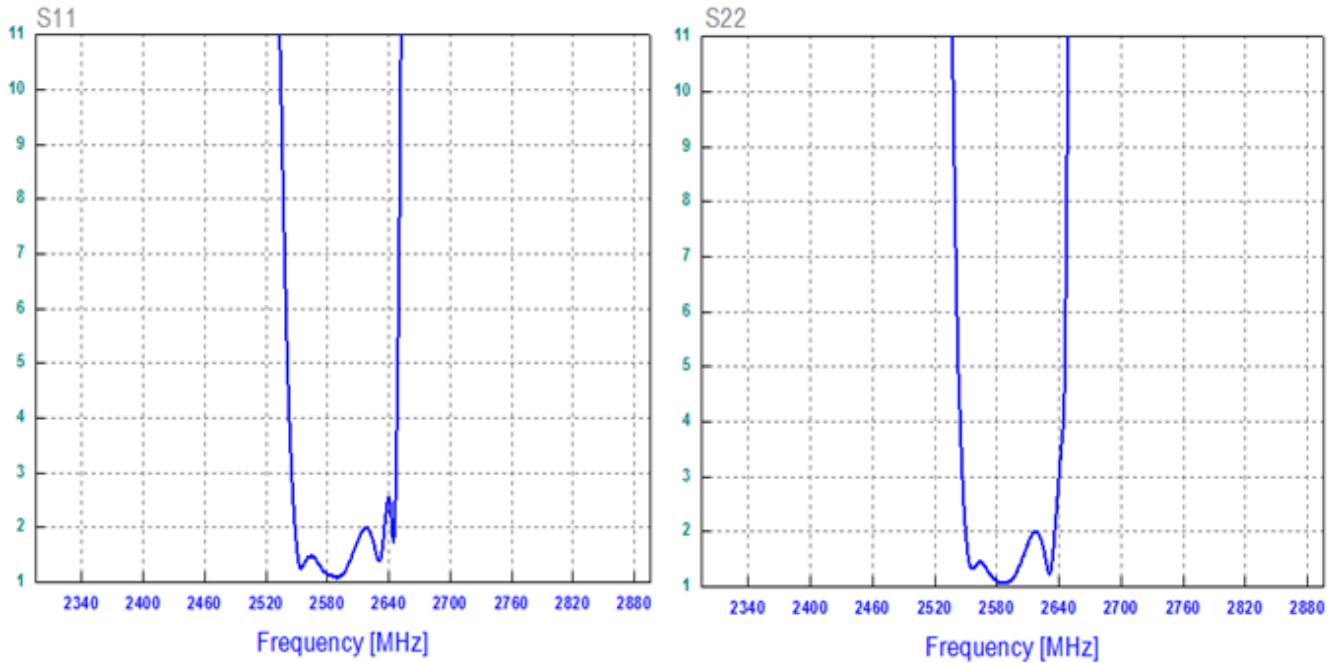
Source & Load Impedance: 50 Ω

Frequency Characteristics

Frequency Response



VSWR



Smith Chart

